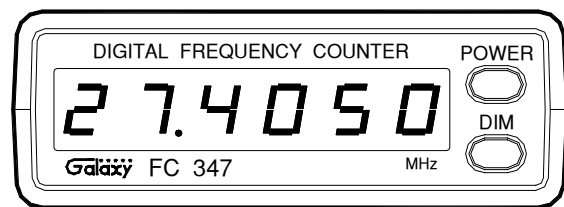
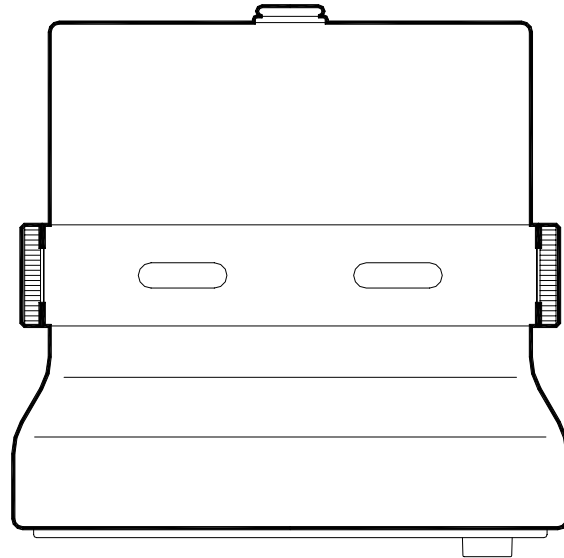


# Galaxy FC 347

## Deluxe Digital Frequency Counter



**The Galaxy FC 347 digital frequency counter is universal designed for use in CB and amateur radio, it provide more exciting radio Communications.**

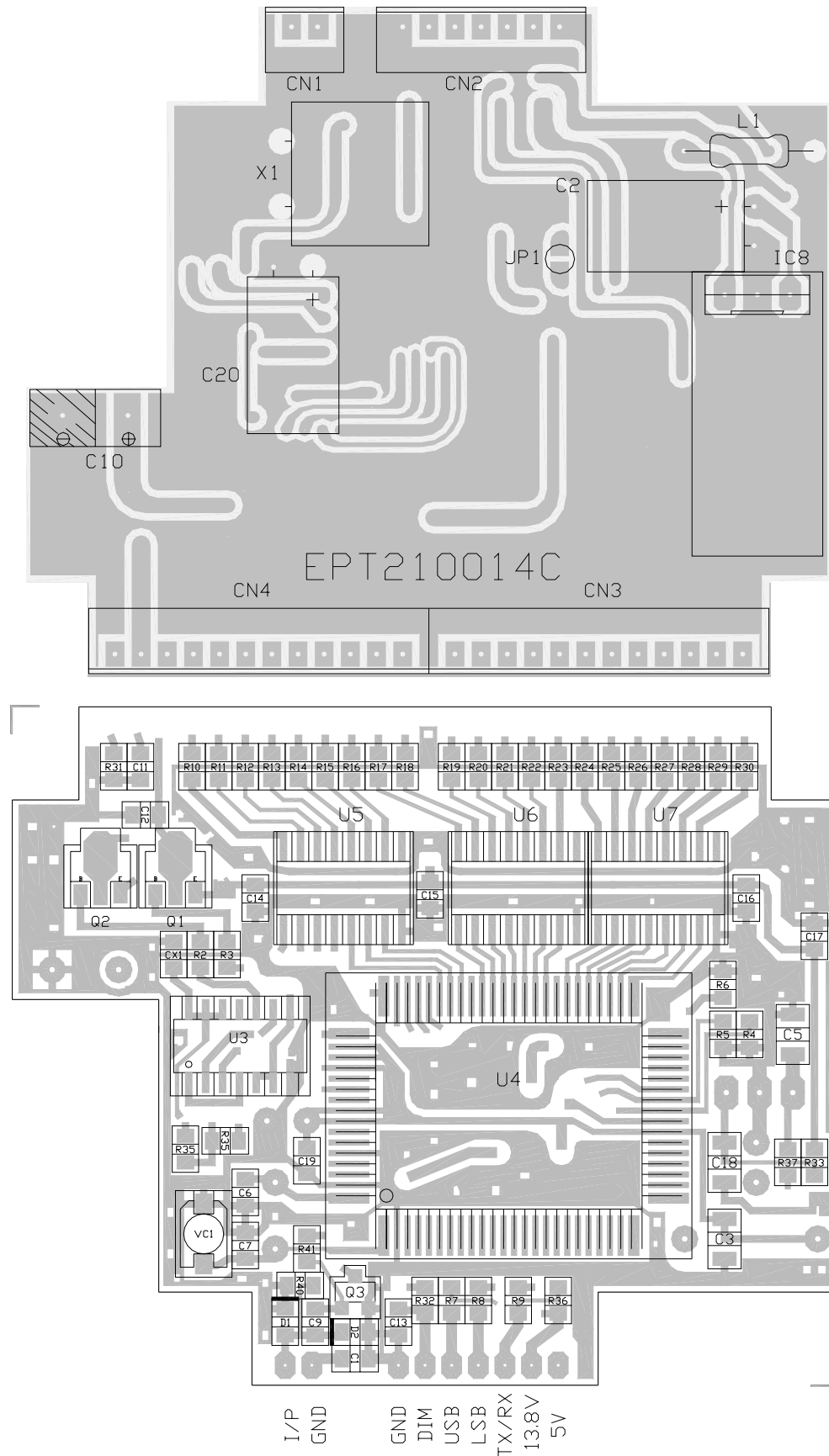
---

### **SPECIFICATION:**

Power Requirements	8 ~ 13.8V DC
Frequency Range	1 ~ 40MHz
Consumption Current	60mA
Input Impedance	5K Ohm, 20pF
Standard Oscillating Frequency	4.5MHz±10ppm
Input Voltage	100mV ~ 2Vrms
Dimension	1 1/4" (H) × 3 1/2" (W) × 3 1/4" (D)

Specification subject to change without notice.

# FC 347 FREQUENCY COUNTER MAIN PCB (EPT210014C)



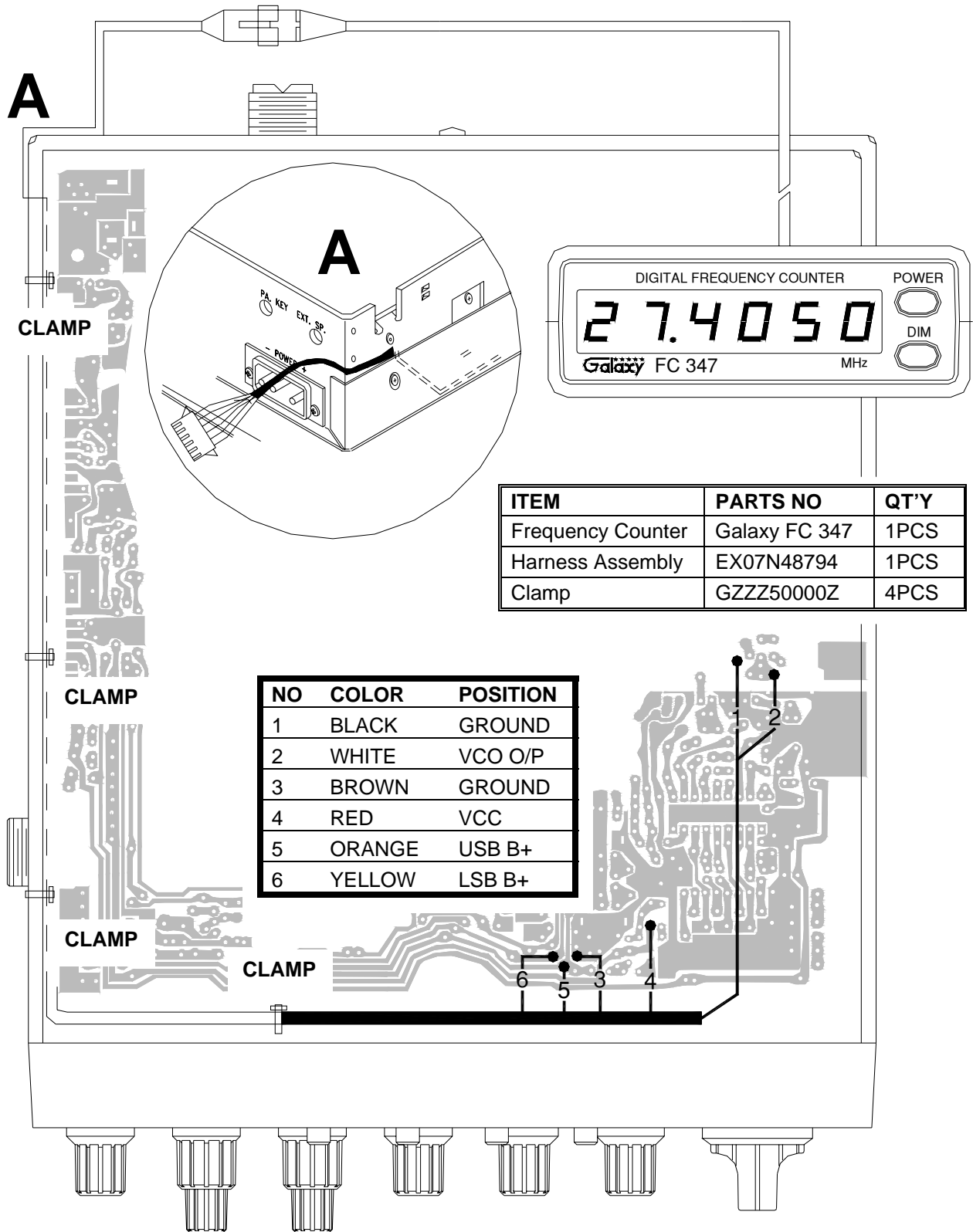
**PART LIST:**

**FC 347 FREQUENCY COUNTER MAIN PCB**

ITEM	REFERENCE NUMBER	RANGER PART NUMBER	DESCRIPTION
1	C10	CE0161087Z	E/C 1000uF 16WV Z
2	C2, C20	CEM161077Z	E/C 1000uF 16WV Z H=5MM
3	U8(IC8)	ENSS07805Z	IC 7805
4	X1	EYCAP04500	4.500 MHz CRYSTAL
5	L1	ECCHK16096	CHOCK COIL 470uH
6		EPT210014C	COUNTER PCB
7	R42	RCY010004Z	CHIP/F/R 0 Ω 0.1W
8	R37	RCY014704Z	CHIP/F/R 47 Ω 0.1W
9	R31	RCY013314Z	CHIP/F/R 330 Ω 0.1W
10	R32	RCY011004Z	CHIP/F/R 10 Ω 0.1W
11	R10, R11, R12, R13, R14, R15, R16, R17, R18, R19, R20, R21, R22, R23, R24, R25, R26, R27, R28, R29, R30, R33	RCY011014Z	CHIP/F/R 100 Ω 0.1W
12	R36, R40	RCY011034Z	CHIP/F/R 10K Ω 0.1W
13	R35	RCY014714Z	CHIP/F/R 470 Ω 0.1W
14	R4, R5, R6, R7, R8, R9	RCY012234Z	CHIP/F/R 22K Ω 0.1W
15	R41	RCY013334Z	CHIP/F/R 33KΩ 0.1W
16	R2, R3	RCY014724Z	CHIP/F/R 4.7K Ω 0.1W
17	C3, C5, C18	CK2104AA6U	CHIP/C 0.1uF 25WV
18	C11,C12,C13,C14,C15, C16, C17, C19	CK1103AB6U	CHIP/C 0.01uF 50WV
19	C9	CK1102AB7L	CHIP/C 0.001uF 50WV
20	C1 (TOS~03)	CK1104AB7R	CHIP/C 0.1uF 50WV
21	C6	CK1330AB4A	CHIP/C 33PF 50WV
22	C7	CK1150AB4A	CHIP/C 15PF 50WV
23	U1	YNNTA04093B	IC TC4093BFN
24	U5, U6, U7	YNRO06250F	IC BA6250F-TP
25	U4	YNRG0GX3SP	IC LC7232N
26	VC1	CV038200AY	TRIMMER/C TZC03P200A110
27	Q3	TY2SC2714Z	T/R 2SC2714-TE85L
28	Q1, Q2	TY2SB0798Z	T/R 2SB798DL

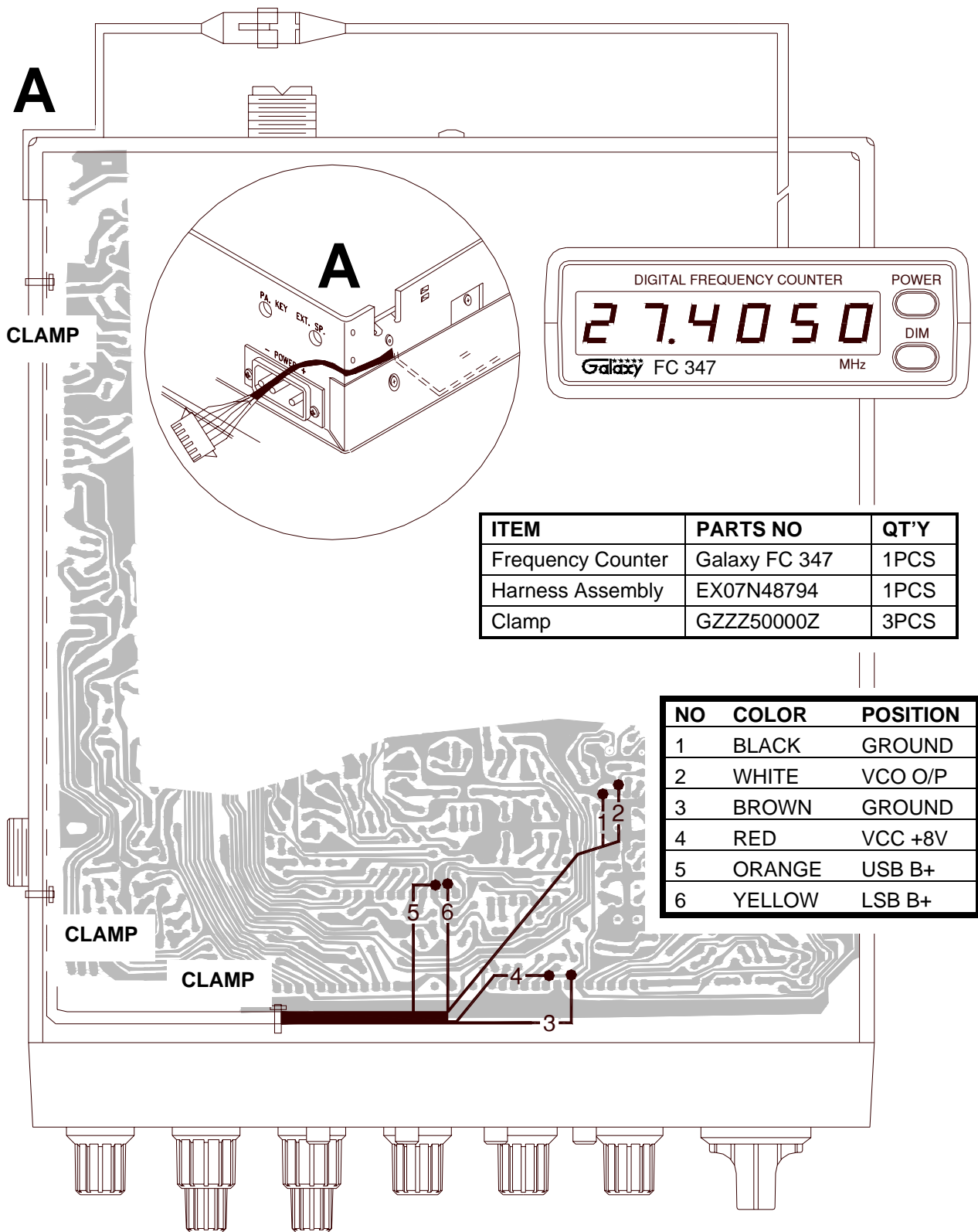
# Harness Assembly Wiring Instruction:

(Fig. 1-2, For CB Transceiver Model Cobra 148GTL)

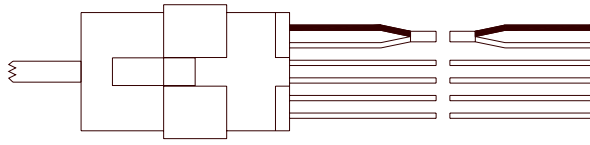
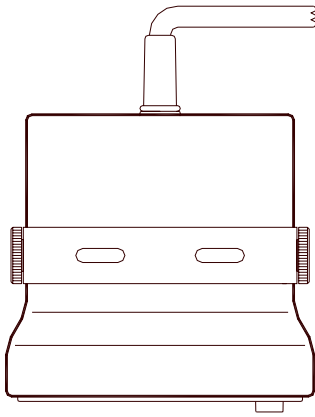


# Harness Assembly Wiring Instruction :

(Fig. 1-1, For Amateur Radio Model SS-3900)



# Connection:



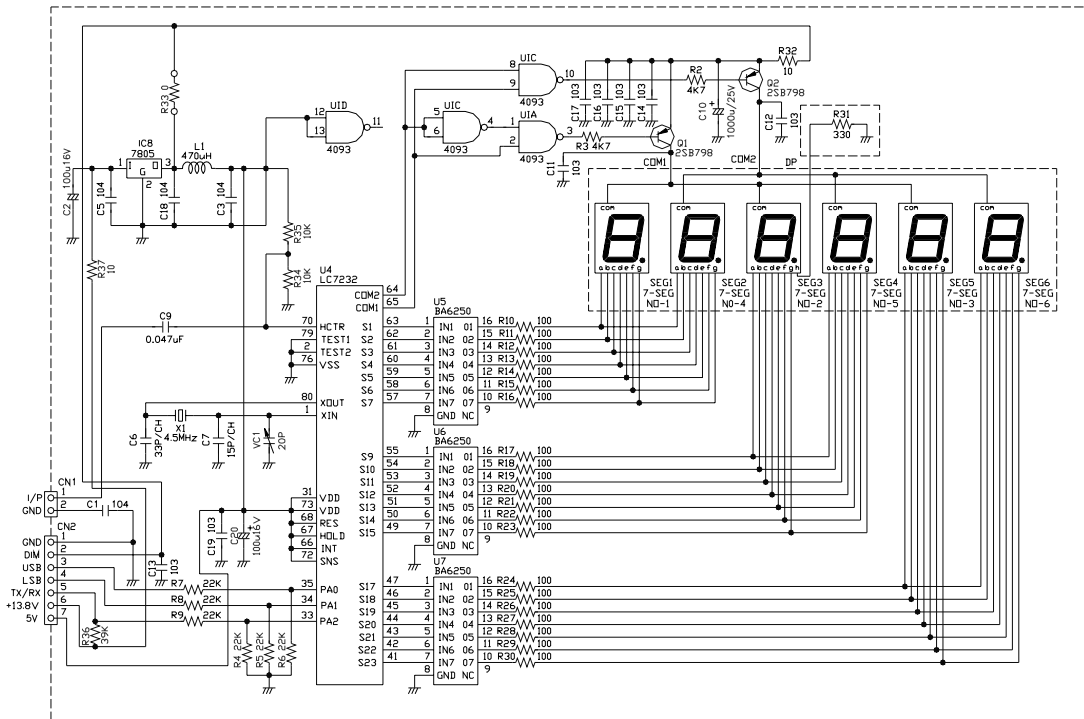
- 1
- 2
- 3
- 4
- 5
- 6

NO	COLOR	POSITION
1	BLACK	GROUND
2	WHITE	VCO O/P
3	BROWN	GROUND
4	RED	VCC +8V
5	ORANGE	USB B+
6	YELLOW	LSB B+



For SS-3900, See the Fig.1-1  
 For Cobra 148GTL, See the Fig. 1-2

# Schematic Diagram:



## **Troubleshooting:**

- **Symptom:**

On Galaxy models, some frequency bands read correctly but some frequency bands seem to oscillate or roll.

- **Cure 1:**

- Recheck solder location of wire #2.

- **Cure 2:**

- Some Galaxy models have an internal adjustment coil labeled L22, which can be adjusted to correct this problem.

- **Symptom:** Frequency display seems to be off 1KHz to 2KHz.

- **Cure:**

- Make sure radio's internal mixers are properly aligned and then adjust VC1 located on the FC 347 main PCB for proper frequency.

- **Symptom:** On some Cobra models the frequency display reads 45.XXXMHz.

- **Cure:**

- Locate the two solder pads of JP1 on the main PCB of the FC 347 and solder these two pads together with a soldering iron.