

REVISIONS D (03/07/02)

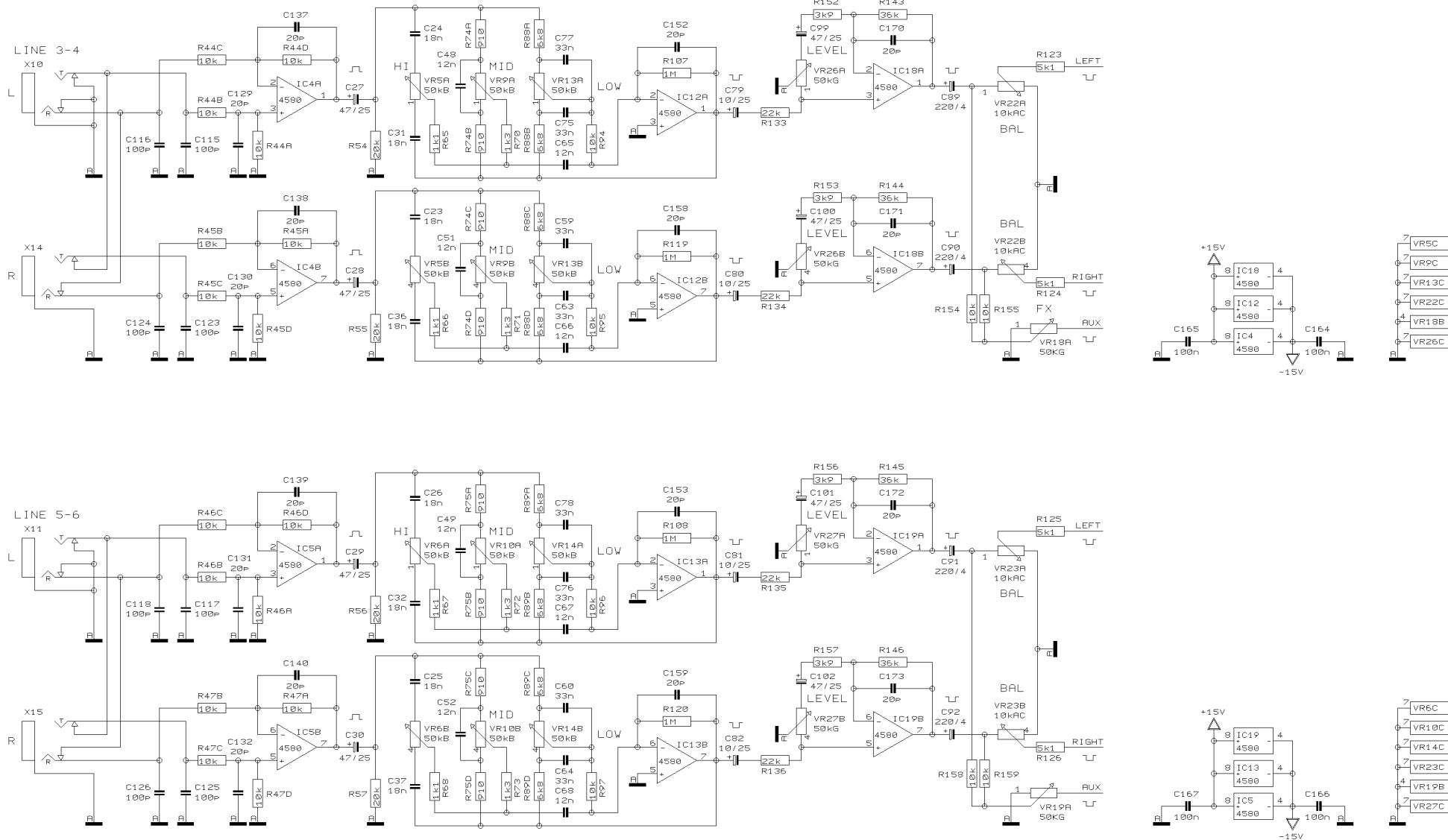
DRAWN BHK

CHECKED

DATE 26.09. 2  
9:13



PROJECT  
UB802  
EURORACK UB802  
INPUT CH. 1/2  
SHEET 1 OF 3 SHEETS TOTAL



REVISIONS

D

DRAWN BHK

CHECKED

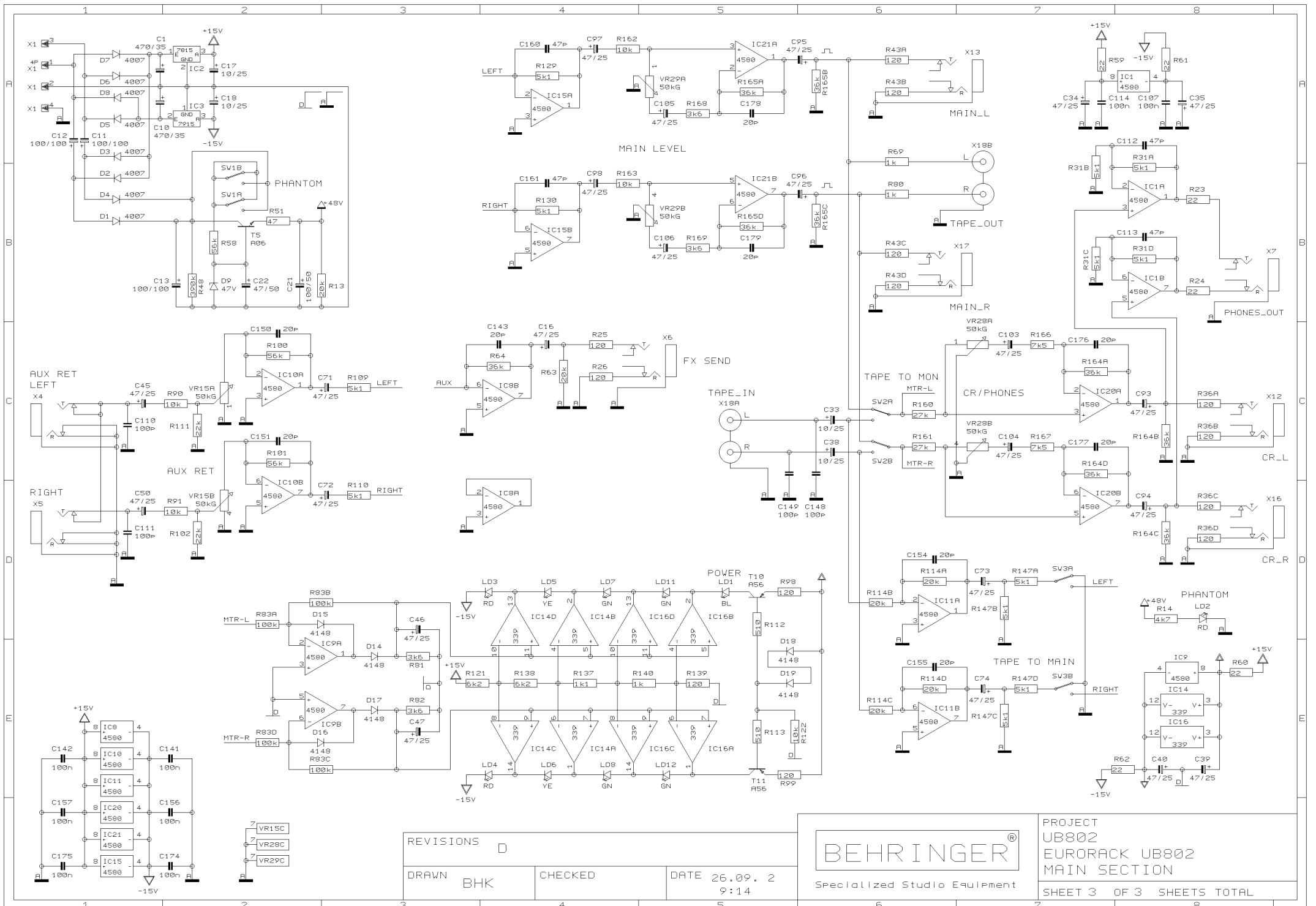
DATE 26.09. 2  
9:13

BEHRINGER®

Specialized Studio Equipment

PROJECT  
UB802  
EURORACK UB802  
INPUT CH. 3-6

SHEET 2 OF 3 SHEETS TOTAL



REVISIONS D

DRAWN BHK

CHECKED

DATE 26.09. 2  
9:14



PROJECT  
UB802  
EURORACK UB802  
MAIN SECTION

SHEET 3 OF 3 SHEETS TOTAL