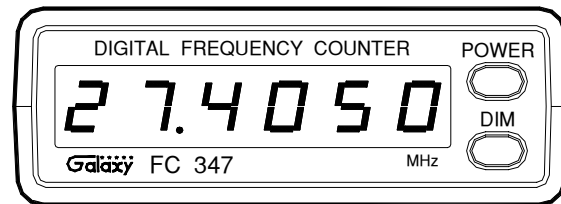
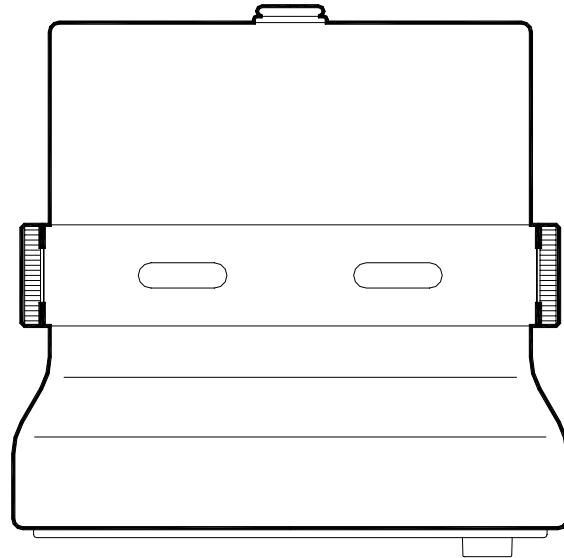


Galaxy FC 347

Deluxe Digital Frequency Counter



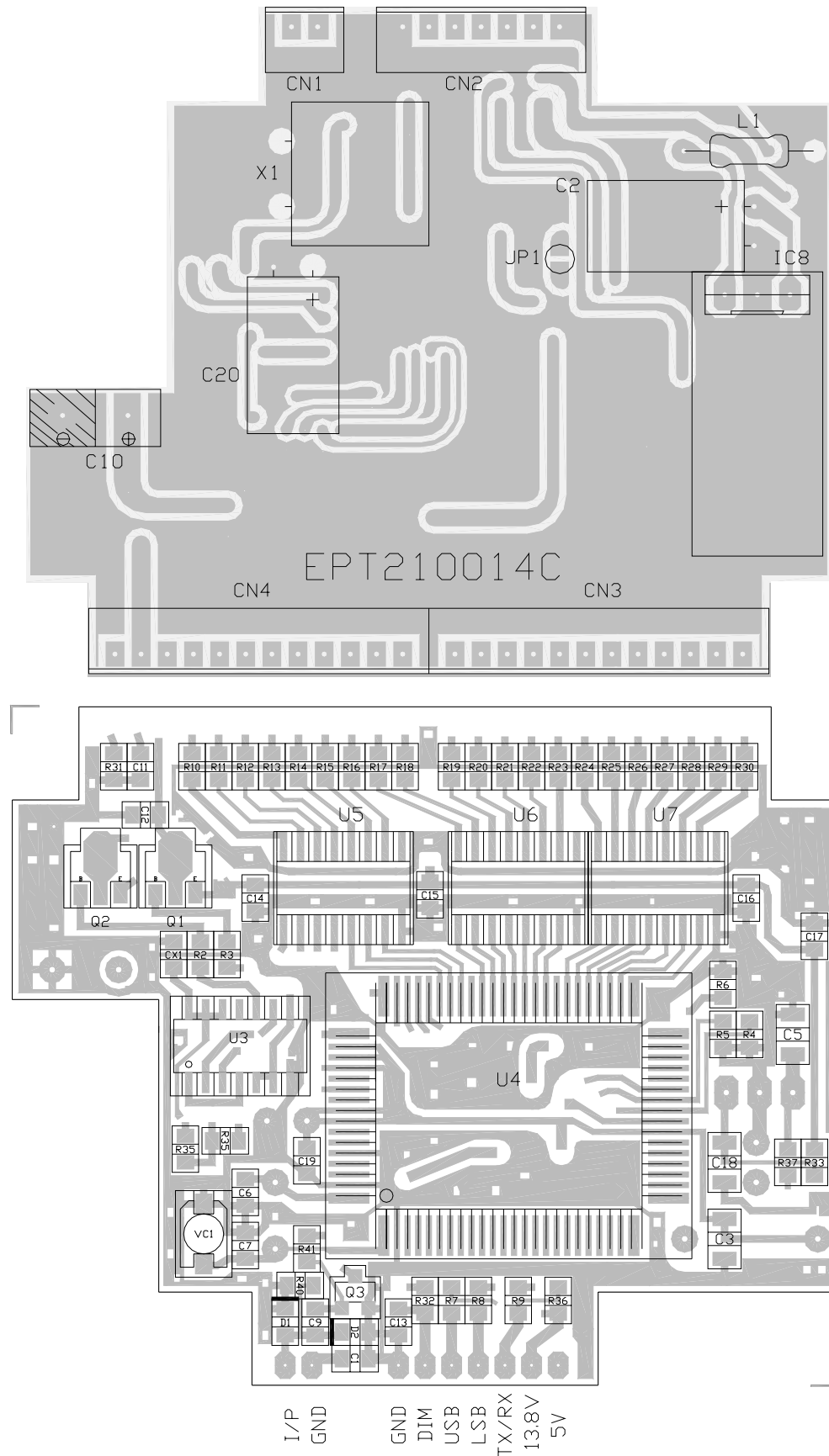
The Galaxy FC 347 digital frequency counter is universal designed for use in CB and amateur radio, it provide more exciting radio Communications.

SPECIFICATION:

Power Requirements	8 ~ 13.8V DC
Frequency Range	1 ~ 40MHz
Consumption Current	60mA
Input Impedance	5K Ohm, 20pF
Standard Oscillating Frequency	4.5MHz±10ppm
Input Voltage	100mV ~ 2Vrms
Dimension	1 1/4" (H) × 3 1/2" (W) × 3 1/4" (D)

Specification subject to change without notice.

FC 347 FREQUENCY COUNTER MAIN PCB (EPT210014C)

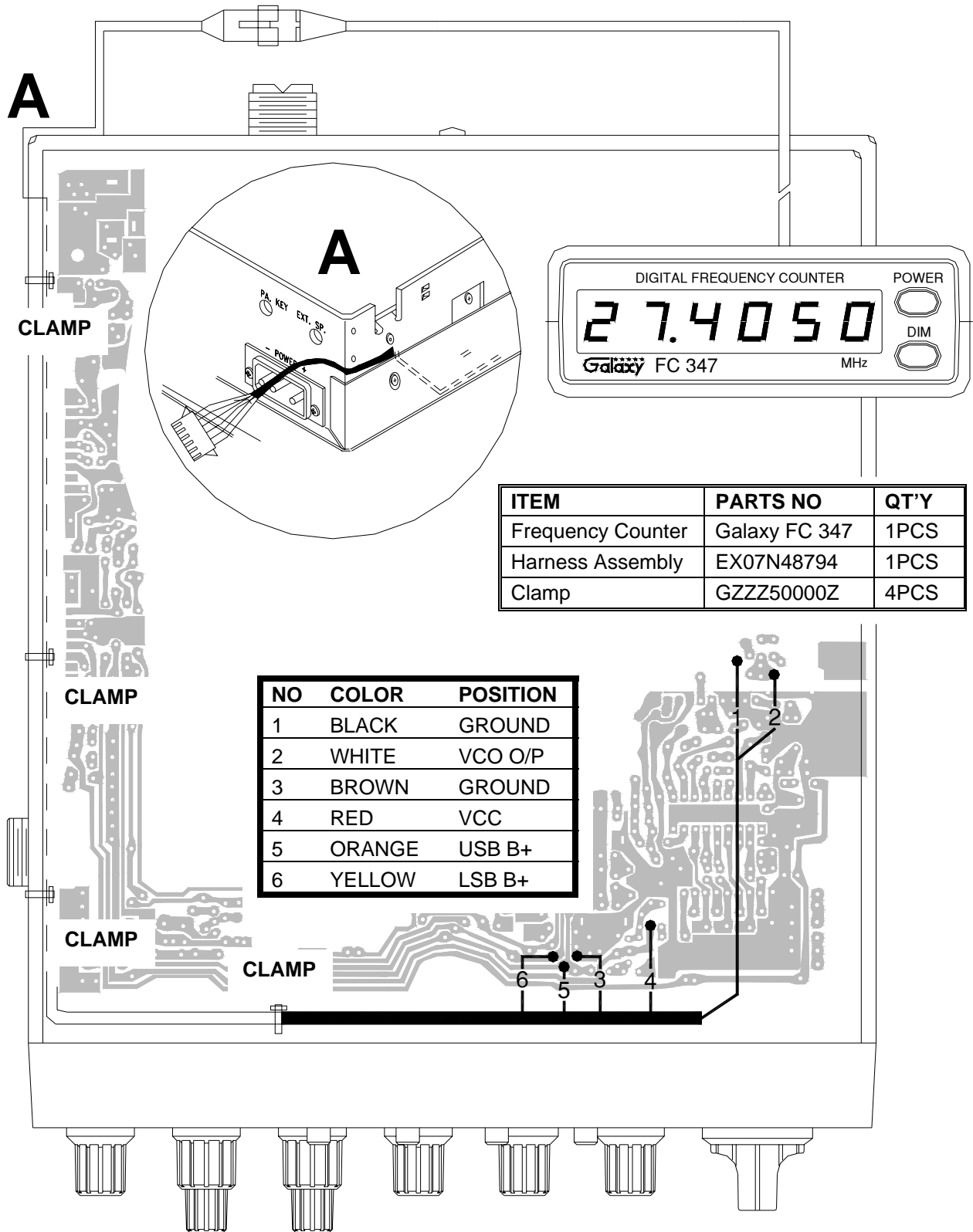


PART LIST:**FC 347 FREQUENCY COUNTER MAIN PCB**

ITEM	REFERENCE NUMBER	RANGER PART NUMBER	DESCRIPTION
1	C10	CE0161087Z	E/C 1000uF 16WV Z
2	C2, C20	CEM161077Z	E/C 1000uF 16WV Z H=5MM
3	U8(IC8)	ENSS07805Z	IC 7805
4	X1	EYCAP04500	4.500 MHz CRYSTAL
5	L1	ECCHK16096	CHOCK COIL 470uH
6		EPT210014C	COUNTER PCB
7	R42	RCY010004Z	CHIP/F/R 0 Ω 0.1W
8	R37	RCY014704Z	CHIP/F/R 47 Ω 0.1W
9	R31	RCY013314Z	CHIP/F/R 330 Ω 0.1W
10	R32	RCY011004Z	CHIP/F/R 10 Ω 0.1W
11	R10, R11, R12, R13, R14, R15, R16, R17, R18, R19, R20, R21, R22, R23, R24, R25, R26, R27, R28, R29, R30, R33	RCY011014Z	CHIP/F/R 100 Ω 0.1W
12	R36, R40	RCY011034Z	CHIP/F/R 10K Ω 0.1W
13	R35	RCY014714Z	CHIP/F/R 470 Ω 0.1W
14	R4, R5, R6, R7, R8, R9	RCY012234Z	CHIP/F/R 22K Ω 0.1W
15	R41	RCY013334Z	CHIP/F/R 33K Ω 0.1W
16	R2, R3	RCY014724Z	CHIP/F/R 4.7K Ω 0.1W
17	C3, C5, C18	CK2104AA6U	CHIP/C 0.1uF 25WV
18	C11,C12,C13,C14,C15, C16, C17, C19	CK1103AB6U	CHIP/C 0.01uF 50WV
19	C9	CK1102AB7L	CHIP/C 0.001uF 50WV
20	C1 (TOS~03)	CK1104AB7R	CHIP/C 0.1uF 50WV
21	C6	CK1330AB4A	CHIP/C 33PF 50WV
22	C7	CK1150AB4A	CHIP/C 15PF 50WV
23	U1	YNTA04093B	IC TC4093BFN
24	U5, U6, U7	YNRO06250F	IC BA6250F-TP
25	U4	YNRG0GX3SP	IC LC7232N
26	VC1	CV038200AY	TRIMMER/C TZC03P200A110
27	Q3	TY2SC2714Z	T/R 2SC2714-TE85L
28	Q1, Q2	TY2SB0798Z	T/R 2SB798DL

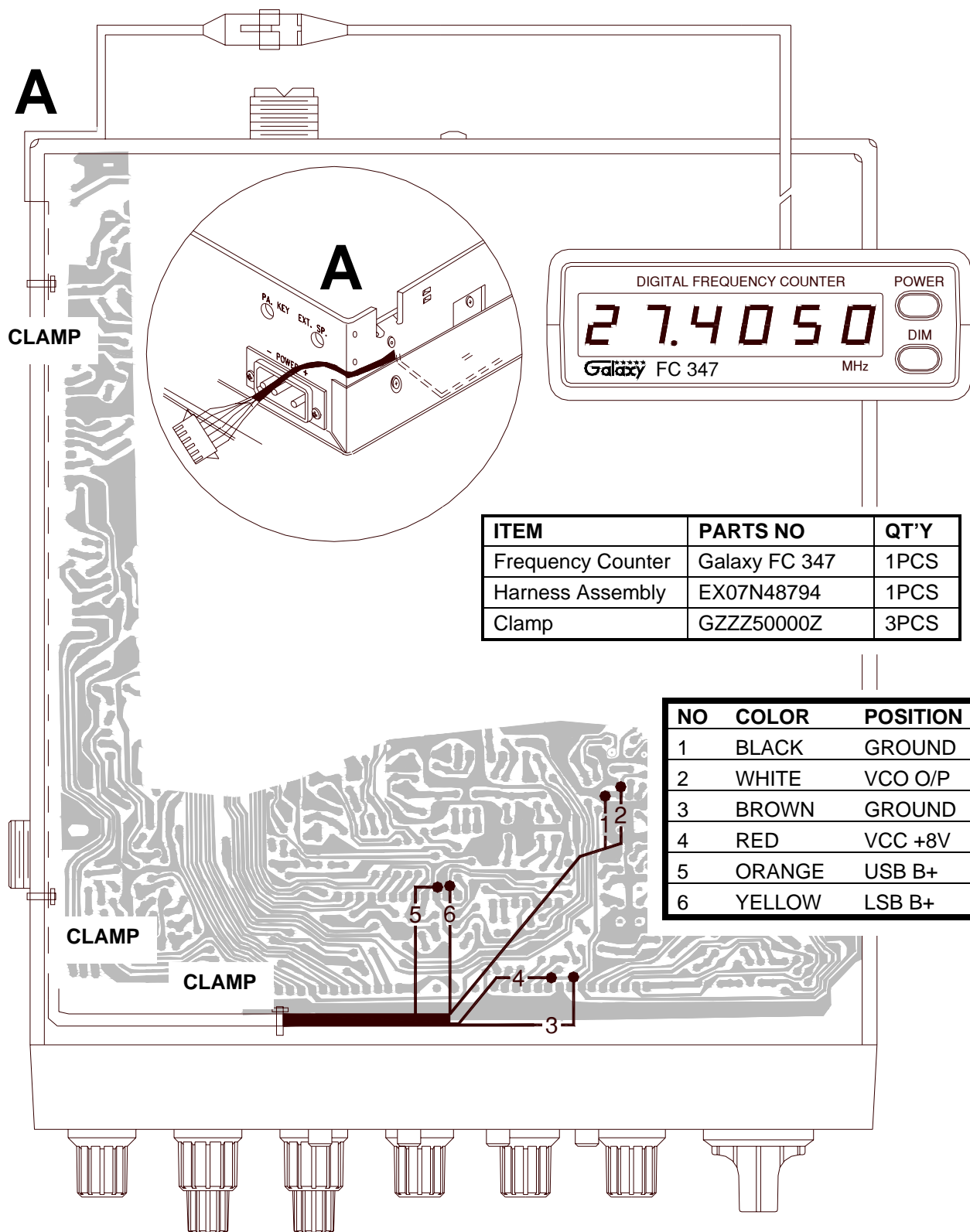
Harness Assembly Wiring Instruction:

(Fig. 1-2, For CB Transceiver Model Cobra 148GTL)

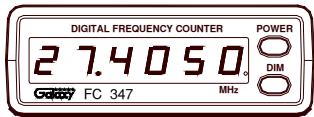
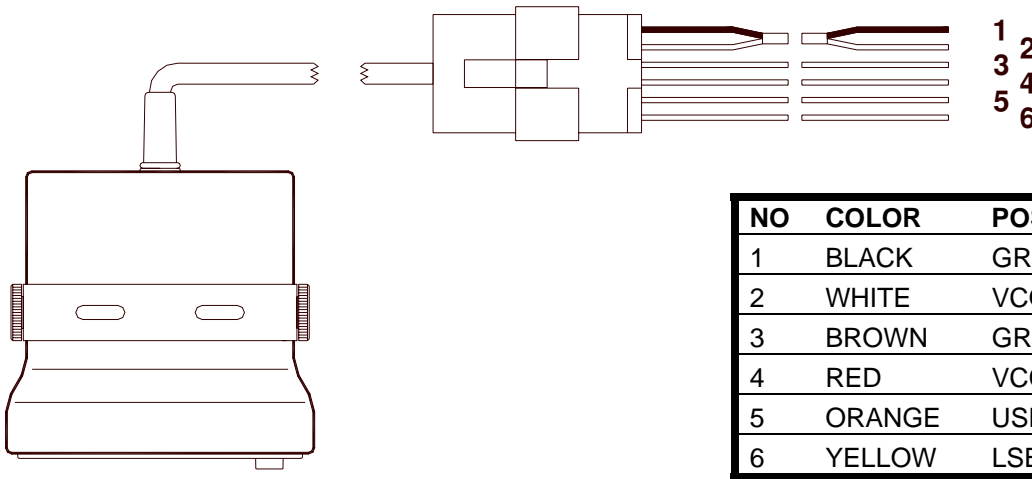


Harness Assembly Wiring Instruction :

(Fig. 1-1, For Amateur Radio Model SS-3900)

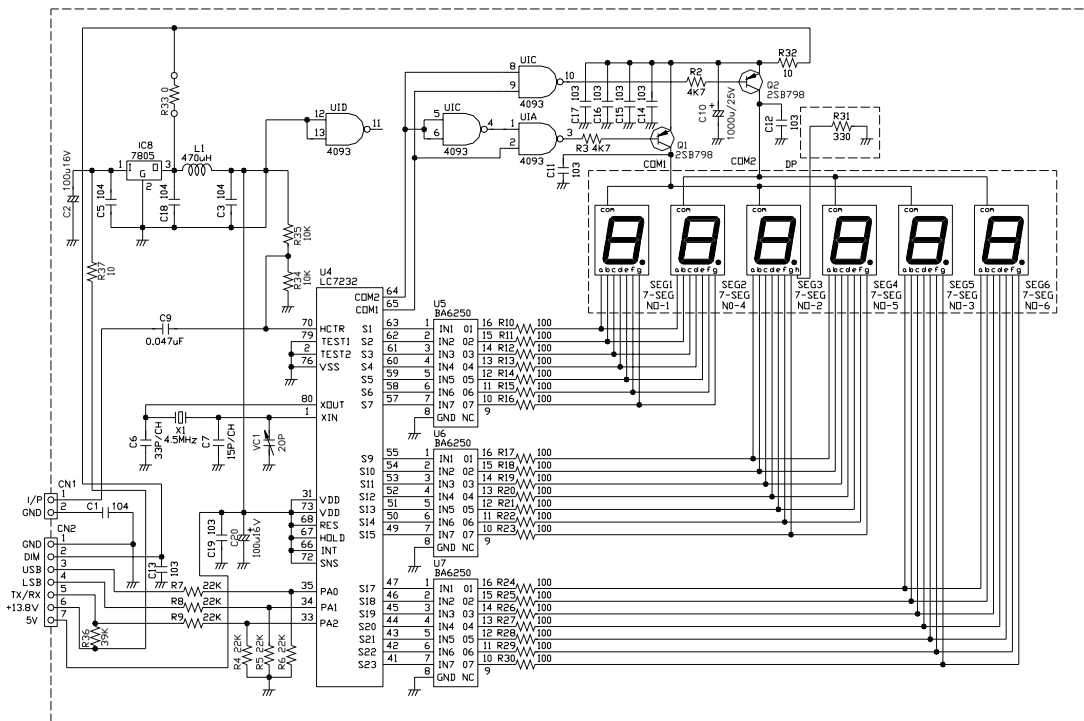


Connection:



For SS-3900, See the Fig.1-1
For Cobra 148GTL, See the Fig. 1-2

Schematic Diagram:



Troubleshooting:

- **Symptom:**

On Galaxy models, some frequency bands read correctly but some frequency bands seem to oscillate or roll.

- **Cure 1:**

- Recheck solder location of wire #2.

- **Cure 2:**

- Some Galaxy models have an internal adjustment coil labeled L22, which can be adjusted to correct this problem.

- **Symptom:** Frequency display seems to be off 1KHz to 2KHz.

- **Cure:**

- Make sure radio's internal mixers are properly aligned and then adjust VC1 located on the FC 347 main PCB for proper frequency.

- **Symptom:** On some Cobra models the frequency display reads 45.XXXMHz.

- **Cure:**

- Locate the two solder pads of JP1 on the main PCB of the FC 347 and solder these two pads together with a soldering iron.