

1

2

3

4

A

A

B

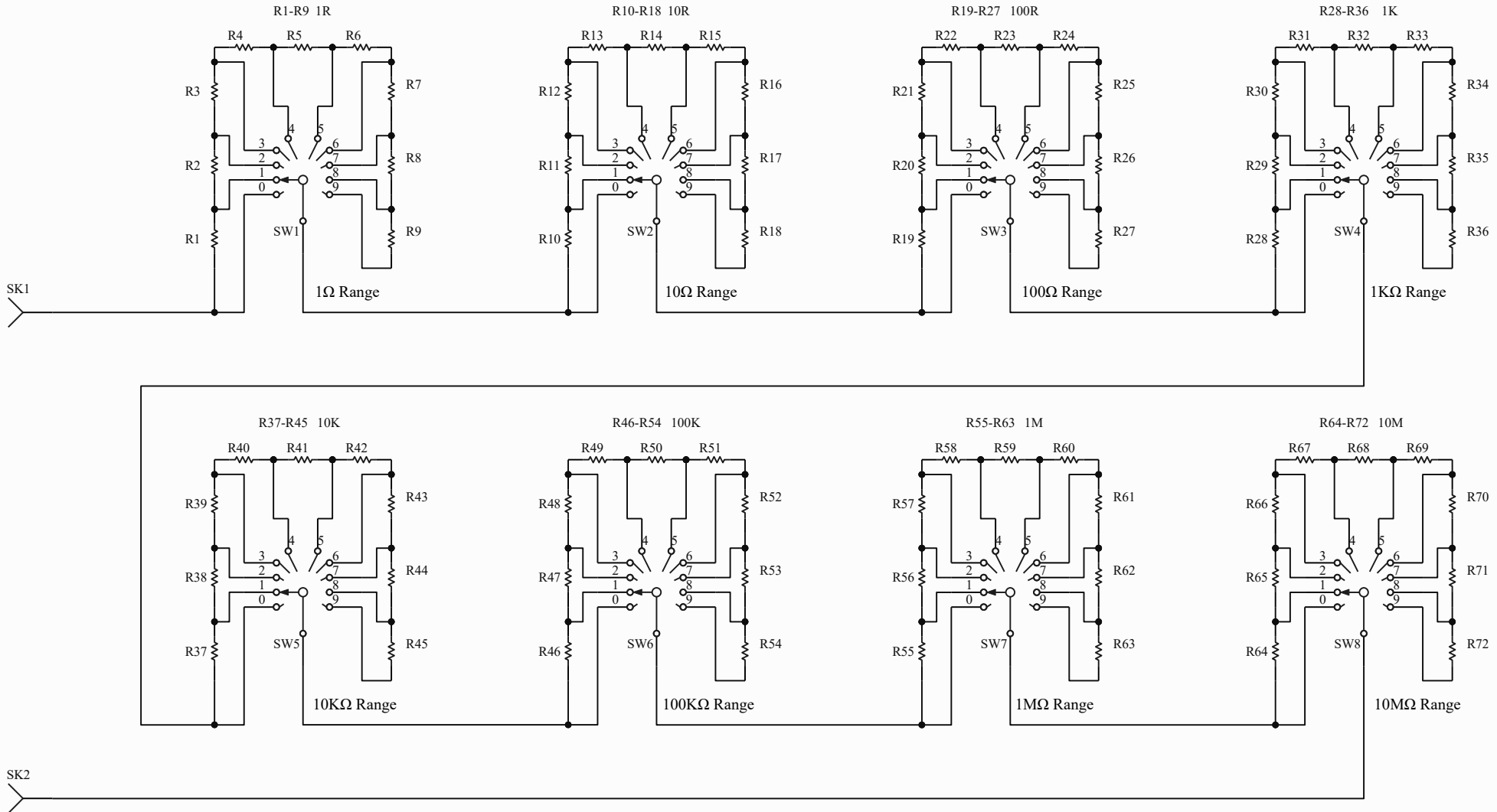
B

C

C

D

D



| | | |
|------------------------------|------------|-----------------|
| Title | | |
| Resistance Decade Box | | |
| Size | Number | Revision |
| A4 | 20.2.5.213 | 2.3.5 |
| Date: | 5/05/2021 | Sheet of |
| File: | | Drawn By: G7SYW |

1

2

3

4