

ACTIVE TUNING ANTENNA SYSTEM

ATAS-120

Technical Supplement

©2002 VERTEX STANDARD CO., LTD. Printed in Japan.

VERTEX STANDARD CO., LTD.

4-8-8 Nakameguro, Meguro-Ku, Tokyo 153-8644, Japan

VERTEX STANDARD

US Headquarters

10900 Walker Street, Cypress, CA 90630, U.S.A.

International Division

8350 N.W. 52nd Terrace, Suite 201, Miami, FL 33166, U.S.A.

YAESU EUROPE B.V.

P.O. Box 75525, 1118 ZN Schiphol, The Netherlands

YAESU UK LTD.

Unit 12, Sun Valley Business Park, Winnall Close
Winchester, Hampshire, SO23 0LB, U.K.

VERTEX STANDARD HK LTD.

Unit 5, 20/F., Seaview Centre, 139-141 Hoi Bun Road,
Kwun Tong, Kowloon, Hong Kong

Specifications

Frequency Range: 7/14/21/28/50/144/430 MHz Amateur Bands

Height (Approx.): 1.4 ~ 1.6 meters (4.59 ~ 5.24 feet)

Weight (Approx.): 900 g (1.98 lbs.)

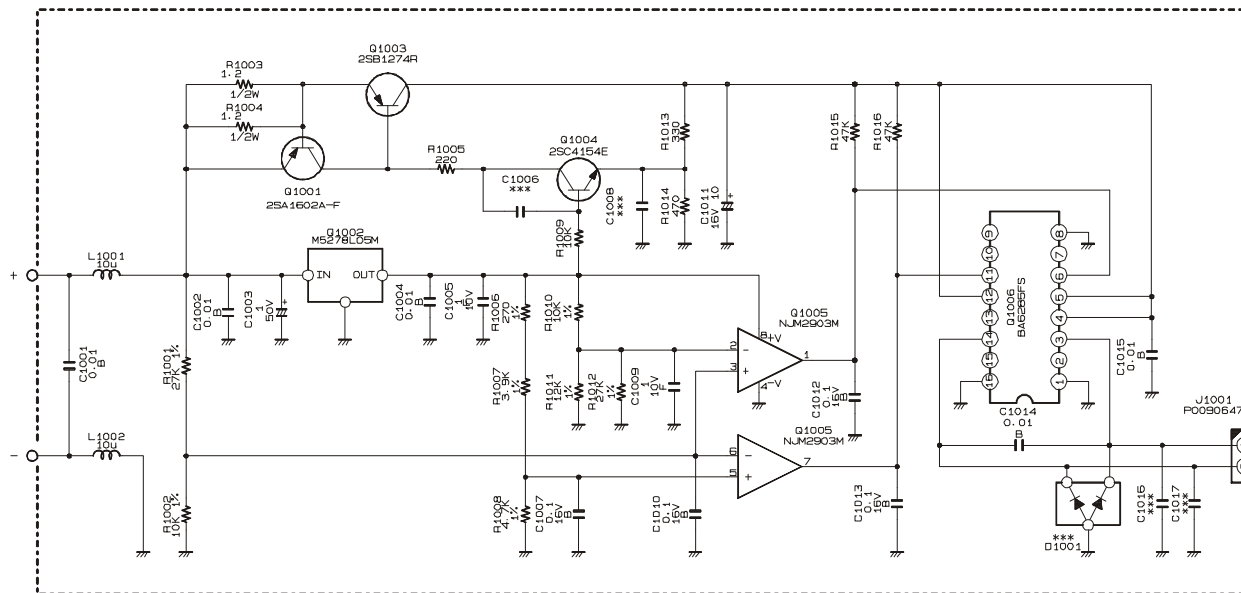
Input Impedance: 50-ohm

Max. Input Power: 120 Watts (SSB)

Matched SWR: Less than 2.0:1 (with proper counterpoise)

(Specifications subject to change without notice or obligation)

Circuit Diagram



RA0084400
ROT ASS'Y

S8002037
COVER ASS'Y

RA0432500
RUBBER RING

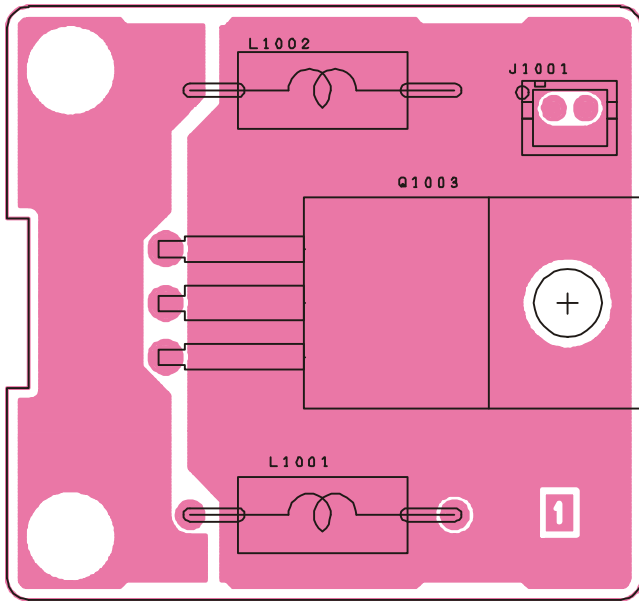
RA0431500
TUBE

RA0432500
RUBBER RING

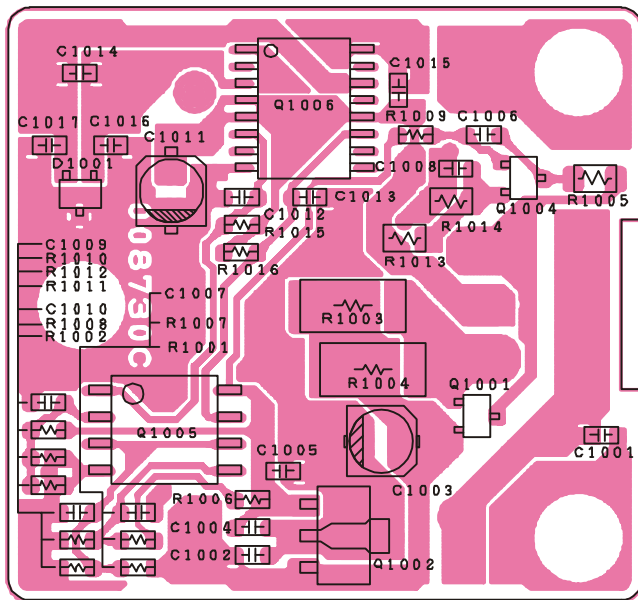


RA0437800 LABEL (ATAS-120)

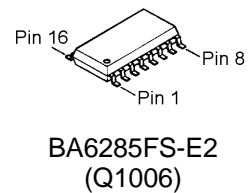
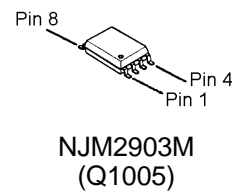
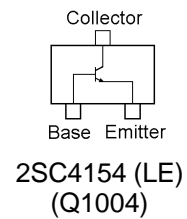
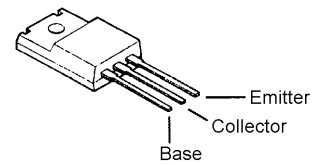
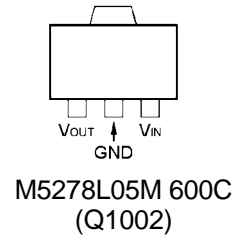
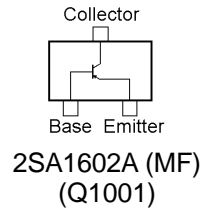
Parts Layout



Side A



Side B



Parts List

REF	DESCRIPTION	VALUE	V/W	TOL	MFR'S DESIG	VXSTD P/N	LOT.	SIDE
PCB with Compornents						S8101372		
Printed Circuit Board						FR008730C		1-
C 1001	CHIP CAP.	0.01uF	50V	B	GRM39B103M50PT	K22174823	1-	B
C 1002	CHIP CAP.	0.01uF	50V	B	GRM39B103M50PT	K22174823	1-	B
C 1003	AL.ELECTRO.CAP.	1uF	50V		ECEV1HS010SR	K48170001	1-	B
C 1004	CHIP CAP.	0.01uF	50V	B	GRM39B103M50PT	K22174823	1-	B
C 1005	CHIP CAP.	1uF	10V	F	GRM39F105Z10PT	K22105001	1-	B
C 1007	CHIP CAP.	0.1uF	16V	B	GRM39B104K16PT	K22124805	1-	B
C 1009	CHIP CAP.	1uF	10V	F	GRM39F105Z10PT	K22105001	1-	B
C 1010	CHIP CAP.	0.1uF	16V	B	GRM39B104K16PT	K22124805	1-	B
C 1011	AL.ELECTRO.CAP.	10uF	16V		RV2-16V100MB55-R	K48120014	1-	B
C 1012	CHIP CAP.	0.1uF	16V	B	GRM39B104K16PT	K22124805	1-	B
C 1013	CHIP CAP.	0.1uF	16V	B	GRM39B104K16PT	K22124805	1-	B
C 1014	CHIP CAP.	0.01uF	50V	B	GRM39B103M50PT	K22174823	1-	B
C 1015	CHIP CAP.	0.01uF	50V	B	GRM39B103M50PT	K22174823	1-	B
J 1001	CONNECTOR				B2B-ZR	P0090647	1-	A
L 1001	M.RFC	10uH			LAL04NA100K	L1190138	1-	A
L 1002	M.RFC	10uH			LAL04NA100K	L1190138	1-	A
Q 1001	TRANSISTOR				2SA1602A-T11-1F	G3116028F	1-	B
Q 1002	IC				M5278L05M 600C	G1093101	1-	B
Q 1003	TRANSISTOR				2SB1274R	G3212740R	1-	A
Q 1004	TRANSISTOR				2SC4154-T11-1E	G3341548E	1-	B
Q 1005	IC				NJM2903M(TE1)	G1093090	1-	B
Q 1006	IC				BA6285FS-E2	G1093249	1-	B
R 1001	CHIP RES.	27k	1/16W	1%	RMC1/16 273FTP	J24183273	1-	B
R 1002	CHIP RES.	10k	1/16W	1%	RMC1/16 103FTP	J24183103	1-	B
R 1003	CHIP RES.	1.2	1/2W	5%	RMC1/2 1R2JTE	J24275129	1-	B
R 1004	CHIP RES.	1.2	1/2W	5%	RMC1/2 1R2JTE	J24275129	1-	B
R 1005	CHIP RES.	220	1/10W	5%	RMC1/10T 221J	J24205221	1-	B
R 1006	CHIP RES.	270	1/16W	1%	RMC1/16 271FTP	J24183271	1-	B
R 1007	CHIP RES.	3.9k	1/16W	1%	RMC1/16 392FTP	J24183392	1-	B
R 1008	CHIP RES.	4.7k	1/16W	1%	RMC1/16 472FTP	J24183472	1-	B
R 1009	CHIP RES.	10k	1/16W	5%	RMC1/16 103JATP	J24185103	1-	B
R 1010	CHIP RES.	10k	1/16W	1%	RMC1/16 103FTP	J24183103	1-	B
R 1011	CHIP RES.	12k	1/16W	1%	RMC1/16 123FTP	J24183123	1-	B
R 1012	CHIP RES.	27k	1/16W	1%	RMC1/16 273FTP	J24183273	1-	B
R 1013	CHIP RES.	330	1/10W	5%	RMC1/10T 331J	J24205331	1-	B
R 1014	CHIP RES.	470	1/10W	5%	RMC1/10T 471J	J24205471	1-	B
R 1015	CHIP RES.	47k	1/16W	5%	RMC1/16 473JATP	J24185473	1-	B
R 1016	CHIP RES.	47k	1/16W	5%	RMC1/16 473JATP	J24185473	1-	B

Mechanical Details (Exploded Views & Mechanical Parts)

Screw List			
No.	VXSTD P/N	Description	Qty.
①	U00105002	PAN HEAD SCREW M2X5NI	4
②	U02204001	PAN HEAD SCREW SM2.6X4	3
③	U20306002	BINDING HEAD SCREW M3X6NI	1
④	S8001866	BINDING HEAD SCREW M3X6NI	2
⑤	S8001867	BINDING HEAD SCREW M4X8NI	6
⑥	S8002041	OVAL HEAD SCREW M3X3	3
⑦	S8001863	OVAL HEAD SCREW M2X6	1
⑧	U60300302	HEX NUT N3NI	1
⑨	U76008002	WASHER AW8	1
⑩	U81055020	E RING ETW-6	1
⑪	U91304001	HEX SOCKET SET SCREW M3X4	1
⑫	U91306001	HEX SOCKET SET SCREW M3X6	1
⑬	S8002036	HEX SOCKET SET SCREW M4X7	2
⑭	S8001862	NYLON WASHER T=1.0	6

Description	VXSTD P/N
LENCH F/SCREW	S8002042
LABEL (ATAS-120)	RA0437800

